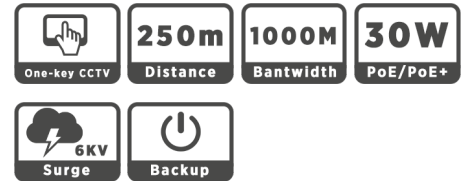


Industrial PoE Switch

SRX-IMS8PP



Industrial 8 Ports PoE Fast Ethernet Switch



Power

Power supply	Power adapter
Voltage range	48~57VDC
Consumption	<5W

Ethernet Port Parameter

Ethernet Port	1~8 ports: default mode: 10/100BASE-TX; CCTV mode:10BASE-T; UPLINK Ethernet port:10/100/1000BASE-T; SFP:1000BASE-X
Transmission distance	Downlink port: default mode: 0~150m; CCTV mode: 0~250m; Uplink port: 0~150m; SFP: depends on SFP module performance
Transmission medium	Cat5e/6 network cable
PoE Protocol	IEEE802.3af/at protocol
PoE power supply	End-span
PoE Energy	Single port<=30W, Whole<120W

Ethernet Exchange Specification

Ethernet standard	IEEE802.3 10BASE-T; IEEE802.3u 100BASE-TX; IEEE802.3ab 1000BASE-TX; IEEE802.3z 1000-SX/LX; IEEE802.3 X
Switch capacity	5.6Gbps
Package Forwarding Rate	4.12Mpps
Packet Buffer	1M
MAC Address	8K

Indicator Status

Power Indicator Light	Front board: 1 pc red Light Side board: 1 pc red Light
CCTV Indicator Light	1 pc(green), the green light on Indicates CCTV Mode start
Optical Port LED indicator	1pc SFP port working indicator light: green
Uplink Ethernet Port Indicator	1 pc network working status: green light on RJ 45 port
Downlink Ethernet Port Indicator	1~8 ports : green light indicates network status, yellow light indicates PoE status

Reset

PoE Reset Button	Total 8 pcs, corresponding to 1~8 ports, PoE Function reset
Reset	1 pc, machine reset

Protection

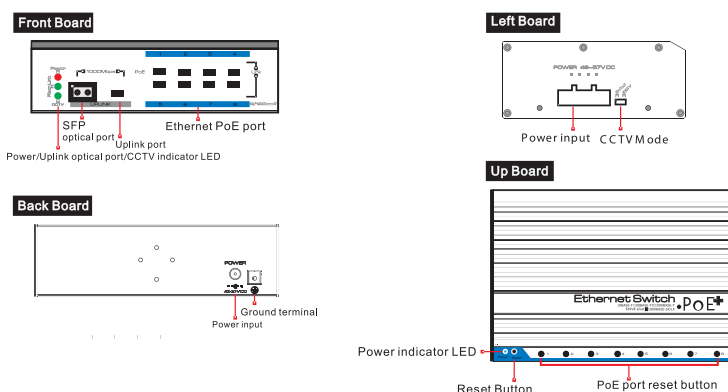
Port Lighting Protection	6KV , Per: IEC61000-4-5
ESD	6KV/ 8KV , Per: IEC61000-4-2

Environmental

Working temperature	- 40 °C ~ +75 °C
Storage temperature	- 40 °C ~ +85 °C
Humidity (non condensing)	0~95%

Mechanical

Dimension(L*W*H)	159 mmx110 mmx46.5mm
Material	Aluminium
Color	Black
Weight	575g



Description

8 ports PoE Ethernet Switch is an unmanaged Ethernet switch. This product provides 1 Gigabit uplink Ethernet port and 1 Gigabit uplink fiber port and 8* 100Mbps PoE Ethernet ports, support IEEE802.3af/at power supply standard. The product is widely used in security surveillance and network project.

Features

- * Provide 1*1000Mbps uplink fiber port and 1*1000Mbps Ethernet port, 8*10/100Mbps downlink Ethernet ports. 1~8 ports of PoE Ethernet switch support IEEE802.3af/at standard, which could provide Max.30W supply power for infrared camera with large consumption;
- * Reset button of 8 PoE ports which can easily solve problems of IP camera crash, without plugging network cable, is very convenient for system maintenance;
- * Under one Key CCTV model, the 1~8 downlink ports can only communicate with uplink ports, the speed of downlink port is limited in 10Mbps and the transmission distance is up to 250m ;
- * One Key CCTV mode is off by default, but can start while dialing the switch key on the front board to reset the product;
- * Industrial product, fanless wavy metal shell design for good heat dissipation;
- * Excellent isolated circuit protection, lightning protection up to 6KV;
- * Fast installation, easily operation, convenient for wall, din rail and desktop installation.
- * 1 M packet data cache to ensure large capacity data transfer smoothly;
- * 8K MAC address, easy for network system expansion;
- * Support IEEE802.3X full duplex data control; support port (Auto MDI/MDIX) function ;
- * Redundant power design, support power hot backup.

