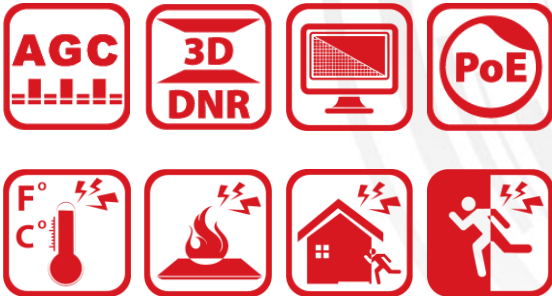


DS-2TD2466-25Y/50Y Anti-corrosion Thermal Network Bullet Camera



Hikvision DS-2TD2466-25Y/50Y Anti-corrosion Thermal Network Bullet Camera is applied to perimeter defense and fire-prevention purposes in critical infrastructures such as: airport, railway, prison, power station, 4S stores, and so on. With the vanadium oxide uncooled focal plane sensor, it enhances the thermal image quality. It adopts 316L stainless steel material to meet the requirements of used in anti-corrosion environment.

Smart Function (Thermal Imaging)

- Leading image processing technology: Adaptive AGC, DDE, 3D DNR, NETD < 40mk (@25°C, F#=1.0)
- Powerful behavior analysis algorithm: Line crossing, Intrusion, Region Entrance & Exit
- Reliable temperature exception alarm function
- Advanced fire detection algorithm

Thermal Imaging Module Function

- 640*512 resolution, high sensitivity sensor, support contrast adjustment
- Support shutter adjustment in various modes
- 3D DNR, 15 palettes of color adjustable, image detail enhancement
- 25mm, and 50mm Lens are optional



Specifications

Parameter		Model	DS-2TD2466-25Y	DS-2TD2466-50Y
		Anti-corrosion Thermal Network Bullet Camera		
Thermal module	Image sensor	Vanadium Oxide Uncooled Focal Plane Arrays		
	Max. Resolution	640 × 512		
	Detector Pitch	17μm		
	Response waveband	8μm to 14μm		
	NETD	< 40mk (@25°C,F#=1.0)		
	Lens (focal length)	25 mm	50mm	
	MRAD	0.68mrad	0.34mrad	
	Field of View	24.55° × 19.75°	12.42°×9.95°	
	Min. Focusing Distance	2 m	7.5m	
	F number	1.0		
Smart function	VCA	Support 4 VCA rule types (Line Crossing, Intrusion, Region Entrance, and Region Exiting), 8 VCA rules.		
	Temperature Measurement	Support 3 temperature measurement rule types, 21 rules (10 points, 10 regions, and 1 line)		
	Temperature range	-20 °C to 150 °C (-4 °C to 302 °F)		
	Temperature accuracy	±8 °C (14.4°F)		
	Fire detection	Support 10 fire points		
Network	Main Stream	50fps (640×512, 384×288, 352×288)		
	Sub Stream	50fps (640×512, 384×288, 352×288)		
	Third Stream	50fps (640×512, 384×288, 352×288)		
	Video Compression	H.264 (Baseline/Main/High Profile) /MJPEG/H.265, H.264+, H.265+		
	Audio Compression	G.711u/G.711a/G.722.1/MP2L2/G.726/PCM		
	Protocols	IPv4/IPv6,HTTP,HTTPS,802.1x,Qos,FTP,SMTP,UPnP,SNMP,DNS,DDNS,NTP,RTSP,RTCP,RTP,TCP,UDP,IGMP,ICMP,DHCP, PPPoE, Bonjour		
	Simultaneous live view	Up to 20-ch		
	User/Host level	Up to 32 users, 3 levels: Administrator, Operator, User		
	Security measures	User authentication (ID and PW), MAC address binding, HTTPS encryption, IEEE 802.1x access control, IP address filtering		
Integration	Alarm Input	2-ch Input (0-5V DC)		
	Alarm Output	2-ch Relay Output, Support Alarm Linkage		
	Alarm Action	Preset/Patrol Scan/Pattern Scan/SD Card Record/Relay Output/Smart capture/FTP upload/Email linkage		
	Audio Input	1-ch 3.5mm Mic in/Line in interface. Line input: 2-2.4 V[p-p], output impedance:1KΩ±10%		
	Audio Output	Linear Level; Impedance: 600 Ω		
	Communication Interface	Built-in RJ45; 10M/100M Ethernet Interface		
	Onboard Storage	Built-in Micro SD/SDHC/SDXC Card Slot, Up to 64GB; Support Manual/Alarm Recording		
	Ethernet	1 RJ45 10M/100M Self-adaptive Ethernet interface		
	Analog Video Output	1.0V [p-p]/75Ω, PAL/NTSC/BNC		
	API	Open-ended API, support ISAPI; Support HIKVISION SDK and Third-party Management Platform		
	Client	iVMS-4200		
	Web Browser	IE 7+, Chrome 18+, Firefox 5.0+, Safari 5.02+; Multiple Languages		
General	Menu	English		
	Power	POE+ (802.3at), 24VAC, 12VDC/3A, 10W (24W with De-icing Heater On)		
	Work Temperature/Humidity	From -40°C to 65°C (-40°F to 149°F); Humidity: 90% or Less		
	Protection Level	IP66 Standard; TVS 6000V Lightning Protection, Surge Protection and Voltage Transient Protection		
	Dimensions	310 mm × 25 mm × 263 mm (12.20" × 0.98" × 10.35")		
	Weight	16.86 kg (37.17 lb)		

Wide Range Coverage for Different Specifications

Note: The table below is only for reference, the performance varies from model to model, and the specific data is based on 17 μ m pixel detector pitch.

Lens (focal length)	7mm	10mm	15mm	25mm	35mm	50mm	75mm
Detection range (Vehicles)	631m	902m	1353m	2255m	3157m	4510m	6765m
Detection range (Humans)	206m	294m	441m	735m	1029m	1471m	2206m
Recognition range (Vehicles)	158m	225m	338m	564m	789m	1127m	1691m
Recognition range (Humans)	51m	74m	110m	184m	257m	368m	551m
Identification range (Vehicles)	79m	113m	169m	282m	395m	564m	846m
Identification range (Humans)	26m	37m	55m	92m	129m	184m	276m

Smart functions Range Table

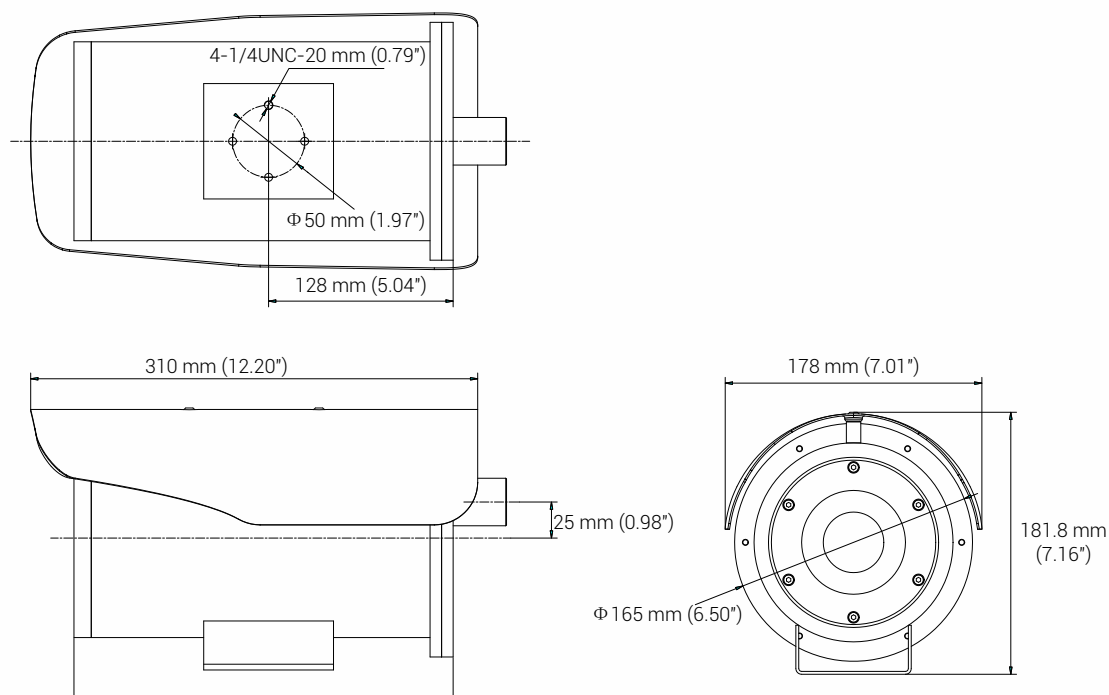
Note: The table below is only for reference, the performance varies from model to model, and the specific data is based on 17 μ m pixel detector pitch.

Lens (focal length)	7mm	10mm	15mm	25mm	35mm	50mm	75mm
VCA range (humans)	50m	72m	110m	183m	255m	360m	540m
VCA range (Vehicles)	144m	205m	308m	514m	720m	1029m	1544m
Temperature measurement (Object:2 \times 2 m)	164m	234m	351m	585m	819m	1170m	1775m
Temperature measurement (Object:1 \times 1 m)	83m	118m	177m	295m	413m	590m	885m
Fire Detection (Object:2 \times 2 m)	412m	588m	882m	1470m	2058m	2940m	4410m
Fire Detection (Object:1 \times 1 m)	206m	294m	441m	735m	1029m	1470m	2205m

Order Models

DS-2TD2466-25Y; DS-2TD2466-50Y

Dimensions



Distributed by

**HIKVISION®****Headquarters**

No.555 Qianmo Road, Binjiang District,
Hangzhou 310051, China
T +86-571-8807-5998
overseasbusiness@hikvision.com

Hikvision USA
T +1-909-895-0400
sales.usa@hikvision.com

Hikvision Europe
T +31-23-55-42-770
info.eu@hikvision.com

Hikvision Middle East
T +971-4-8816086
salesme@hikvision.com

Hikvision Russia
T +7-495-669-67-99
saleru@hikvision.com

Hikvision India
T +91-22-28469900
sales@pramahikvision.com

Hikvision Italy
T +39-0438-6902
info.it@hikvision.com

Hikvision France
T +33(0)1-85-330-450
info.fr@hikvision.com

Hikvision Spain
T +34-91-737-16-55
info.es@hikvision.com

Hikvision Poland
T +48-22-460-01-50
poland@hikvision.com

Hikvision UK
T +01628-902140
support.uk@hikvision.com

Hikvision Singapore
T +65-6684-4718
sg@hikvision.com

Hikvision Oceania
T +61-2-8599-4233
salesau@hikvision.com

Hikvision Canada
T +1-909-895-0400
sales.usa@hikvision.com

Hikvision Korea
T +82-31-731-8841
sales.korea@hikvision.com

Hikvision Brazil
T +55 11 3318-0050
Latam.support@hikvision.com

Hikvision Africa
T +27 (10) 0351172
sale.africa@hikvision.com

Hikvision Hong Kong
T +852-2151-1761